

DOUL

S1310

Designed by Agus Gascón, 2023

DESCRIPTION

MATERIALS

Steel / Glass

FINISHES

Body: Matt black / Aged gold

Glass: Striped glass - Transparent

SPECIFICATIONS (UE)

G4 LEDs 3W 2700K

Dimmable (Included)

Regulation on cable

220-240V, 50/60Hz

IP20, Class II

ENERGY LABEL

A ++

MATERIALES

Metal / Vidrio

ACABADOS

Cuerpo: Negro mate / Oro envejecido

Cristal: Cristal rayado - Transparente

ESPECIFICACIONES (UE)

G4 LED 3W 2700K

Regulable (Incluida)

Regulación en cable

220-240 V, 50/60 Hz

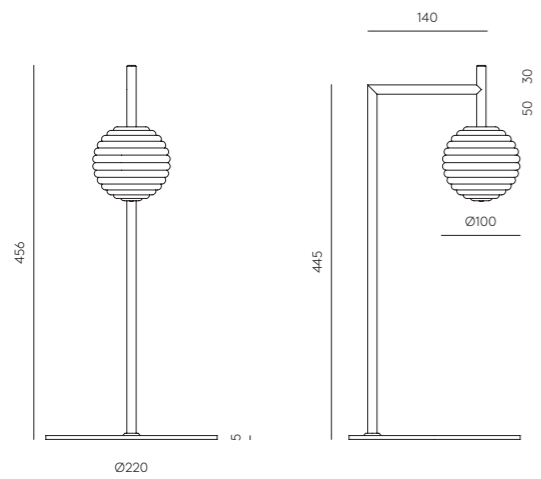
IP20, Clase II

ETIQUETA ENERGÉTICA

A ++

IP20 CE

TECHNICAL



Valencia, Spain

