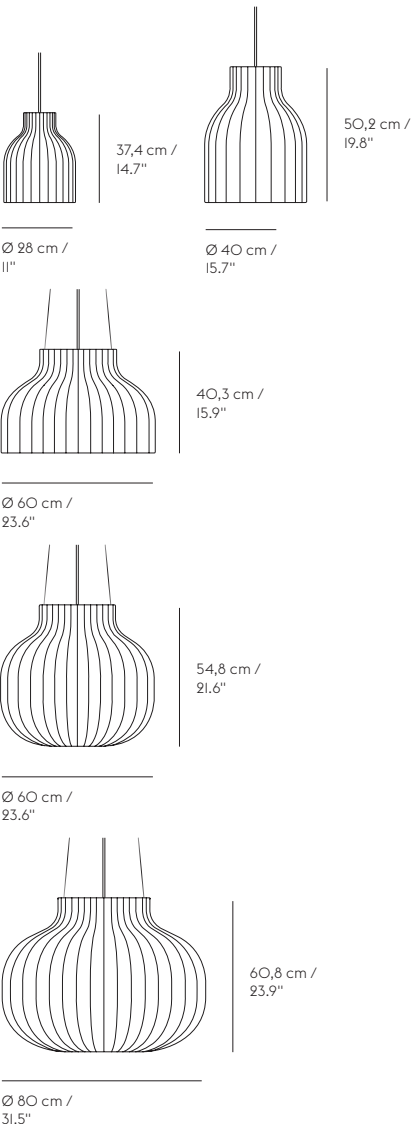




STRAND PENDANT LAMP – EU VERSION

BENJAMIN HUBERT ON THE DESIGN “The Strand Pendant Lamp is formed from a sprayed cocoon material with its cloud-like appearance that tightly clings to a spinning steel frame. It consists of tiny strands for a complex, intriguing structure that shrouds the light source while acting as its diffuser. With its see-through expression, the cocoon material allows for the Strand Pendant Lamp to filter light for a warm, comfortable glow. Designed in various sizes and shapes, the Strand Pendant Lamp hovers lightly in space, bringing comfort, harmony and a refined sensitivity into any room.”



READY-TO-SHIP OPTIONS



White



Ceiling cap (Ø28/Ø40)
Ø 9 x 5,6 cm / 3.5" x 2.2"



Ceiling cap (Ø60/Ø80)
Ø 14 x 3,5 cm / 5.5" x 1.5"

DESIGNED BY / YEAR OF DESIGN

Benjamin Hubert / 2019

ABOUT THE DESIGNER

Benjamin Hubert is an award-winning British design entrepreneur, and founder of creative agency, LAYER. LAYER is focused on experience-driven design for both the physical and digital worlds. Led by Benjamin and a growing creative team, LAYER is partnering with forward-thinking brands—including Nike, Google, Bang and Olufsen, Samsung and Braun—to create products that will help define the way we live, work and communicate in the future, from A.I to smart wearables and furniture systems, to the next generation of media devices and mobile communication tools.

CATEGORY

Pendant lamp

ENVIRONMENT

Indoor

COUNTRY OF PRODUCTION

Italy

DESCRIPTION

The design has soft, playful forms for a modern expression. Provides both diffused as well as direct lighting, the latter through its top and bottom opening. Made from a cocoon material, consisting of tiny strands that make a complex, intriguing structure. Please note that the Open Ø60, Closed Ø60 and Closed Ø80 come with a wire suspension system with three wires.

PRODUCTION PROCESS

Cocoon material is sprayed onto inner steel structure.

MATERIAL

Cocoon layer with inner steel structure, PVC cord and PE covered steel wire

CORD & WIRE LENGTH

Ø28 & Ø40: 300 cm / 118.1"
Ø60 & Ø80: 500 cm / 196.9"

BULB INCLUDED

No

DIMMABLE FUNCTION

Yes, if dimmable bulb is used.

CEILING CAP INCLUDED

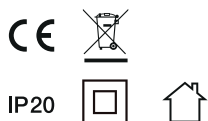
Yes

CLEANING AND CARE

Clean with soft dry cloth only. Always switch off the electricity supply before cleaning.



STRAND PENDANT LAMP – EU VERSION



LAMP RATING - OPEN Ø28 / OPEN Ø40

Voltage	220-240V
Frequency	50/60Hz
IP Rating	IP20
Classification	Class II
Socket	1 x E27 Max 40W

BULB RECOMMENDATION - OPEN Ø28 / OPEN Ø40

Lamp base	E27
Dimensions	Ø80 X 115 mm
Light source shape	G80
Max wattage	40W
Light source type	LED

LAMP RATING - OPEN Ø60 / CLOSED Ø60 / CLOSED Ø80

Voltage	220-240V
Frequency	50/60Hz
IP Rating	IP20
Classification	Class I
Socket	1 x E27 Max 60W

BULB RECOMMENDATION - OPEN Ø60 / CLOSED Ø60 / CLOSED Ø80

Lamp base	E27
Dimensions	Ø125 X 175 mm
Light source shape	G125
Max wattage	60W
Light source type	LED



STRAND PENDANT LAMP – EU VERSION

GENERAL STANDARDS & CERTIFICATES

EU

REACH
Directive - EC/1907/2006

Low Voltage Directive (LVD)- 2014/35/EU
IEC 60598-1 and
IEC 60598-2-1 (EU deviations)

ROHS Directive - 2011/65/EU amended RoHS 3 Directive 2015/863

ECO Design Directive - 245/2009/EC

WEEE Directive - 2012/19/EU

UK

BS EN 60598-1 and BS 4533-102.1, EN 60598-2-1

Electrical Equipment (Safety) Regulations 2016

Electromagnetic Compatibility Regulations 2016

The Restriction of the Use of Certain Hazardous Substances in Electrical and
Electronic Equipment Regulations 2012

The Ecodesign for Energy-Related Products and Energy Information
(Amendment) (EU Exit) Regulations 2019